

# Check valve (Duckbill & Umbrellas) -Medical Disposable products-

**[Disposable]**



Duckbill



## **[Features]**

- ▼ Manufactured in Class 8 Clean room
- ▼ Medical silicone (ISO 10993-5 and USP class VI passed)
- ▼ Other chemical resistant rubbers are also available \*not for medical

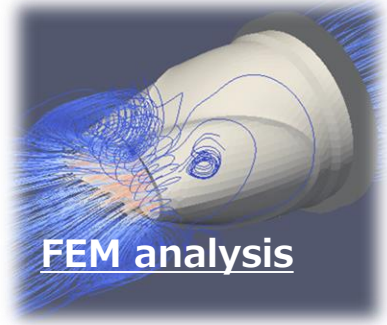


**Molding process**



**Inspection/finishing process**

## **Silicon and Resin assembly**



— < Contact > —

# Check valve (Duckbill & Umbrellas) for general market



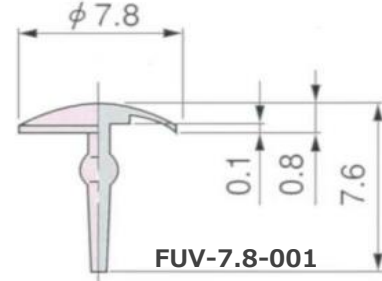
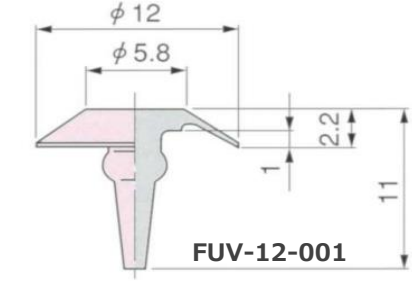
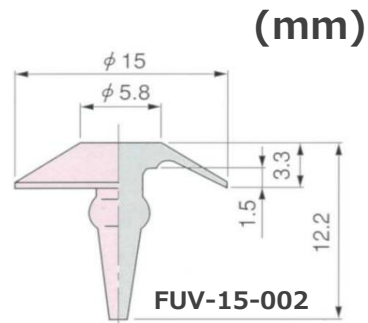
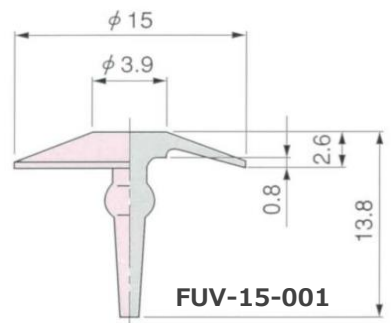
## [Non-disposable]

We design products according to conditions such as temperature, contact fluid, pressure, and flow rate characteristics.

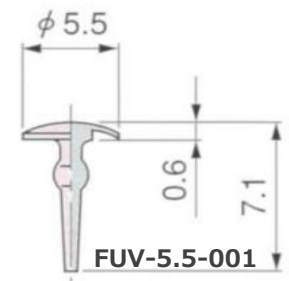


## [Standard sizes and materials]

### Umbrellas



Materials	Hardness Duro A
NBR	50
FVMQ	50-60
FKM	60
VMQ	50
EPDM	50



### Duckbill

